

equo



Equo is a willowy sculpture functioning as an LED Desk Lamp. The lamp has a streamlined counterweight design for feather-light adjustability. One finger is all you need to adjust the floating arm's position, and the tilting head stays at the angle you set. When the best in design meets clever engineering, the result is Equo, in all its elegance.

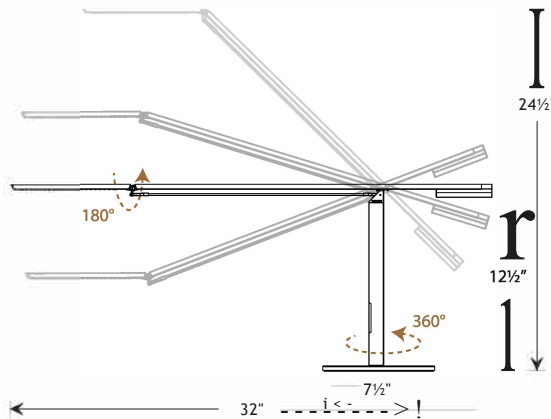
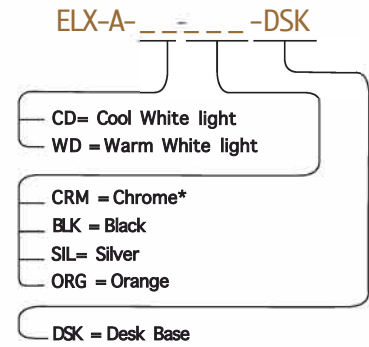
Designers

Peter Ng, Kenneth Ng & Edmund Ng

iF product design award 2012
WAN Awards Shortlisted 2012
Interior Design's Best of Year 2011 Product
JDP's Good Design Award 2011
Benelux Office Products Awards Winner 2011
Bloom Award Winner 2011
red dot: product design winner 2011
Next Generation Luminaires "Best in Class" Winner 2010
Spark Award - Bronze 2010
Chicago Athenaeum's GOOD DESIGN Award 2010
ADEX Platinum Award 2010

Lumens:	360
Energy Consumption:	Gw
Rated lifespan:	50,000 hours
Color Temperature:	Cool: 4,500 K/ Warm 3,500 K
Color Rendering Index {CRI}:	85
Dimmer:	Built-in touchstrip
Brightness Adjustability:	Multiple dimming levels
Standard Color Finish:	Chrome*, Black, Silver, Orange
Material:	Aluminum/Plastic
Cord:	Black, 10'
C-UL-US Certified	

*Chrome finish available on warm light model only



Occupancy sensor*
{P7-02-0CC01A}

*Sold separately

Potential LEED Points

Integrative Process (Possible 2 points)

To support high-performance, cost-effective project outcomes through an early analysis of the interrelationships among systems.

Koncept's LED desktop and task lighting provides finer control over lighting levels in occupied spaces. With personal lighting in place, elimination or downsizing of building lighting systems is possible.

Interior Lighting (Possible 2 points)

To promote occupants' productivity, comfort and well-being by providing high-quality lighting.

All Koncept's task lighting products provide more than three lighting levels that are easily adjustable by occupants to suit their needs. Furthermore, all Koncept's task lighting products use high quality LED light sources with CRI over 80 and L70 rated lifespan over 50,000 hours. Desktop and task personal lighting also provides the opportunity to reduce overhead lighting.

light source placed at 15" away from worksurface

